

Product Sheet

Issue No. S9.1

PCS-5

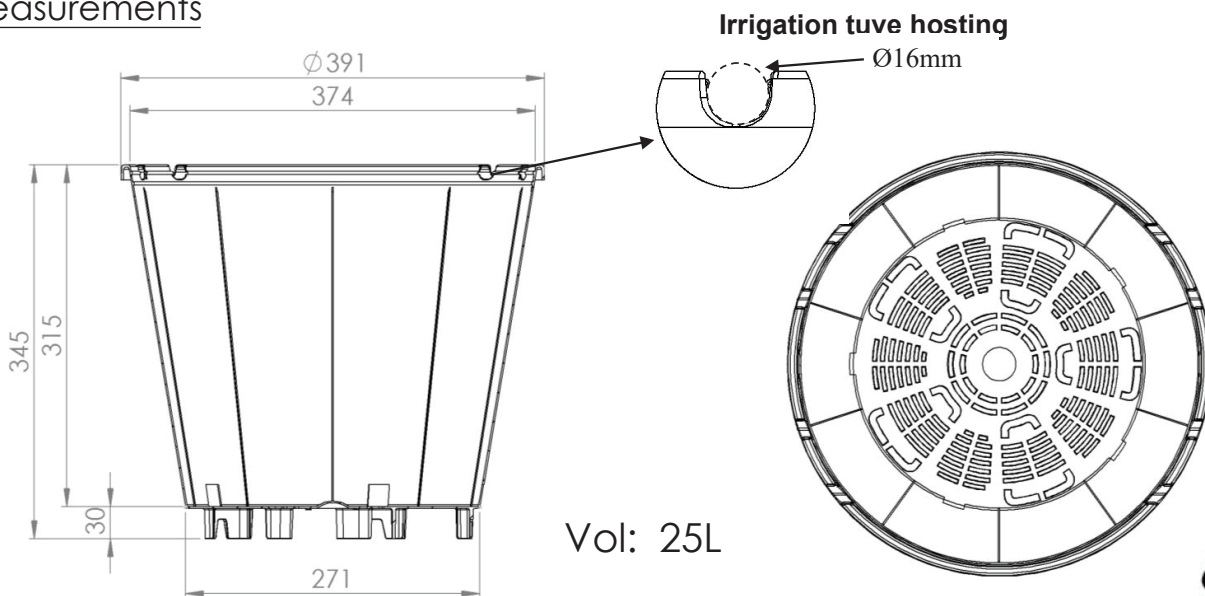
25L Round Pot - Spider Drainage

Weight: 590 gr +5%

Available Colours: Black



Measurements



Material

PP COPO - Polypropylene copolymer
Blended with elastomeric material for a good flexibility performance
UV FILTER stabilized



Packaging

Pieces served on wooden pallets, measures 1.20 x 0.80 x 2.30 meters, stacked and shrink-wrapped with film. Identified with labels with reference and quantity per pallet.

Standard quantity per pallet: 810 pcs

Weight per pallet: 500 kg

Cocogreen (UK) Limited registered in England & Wales no. 07277888
VAT registration no. GB992912579